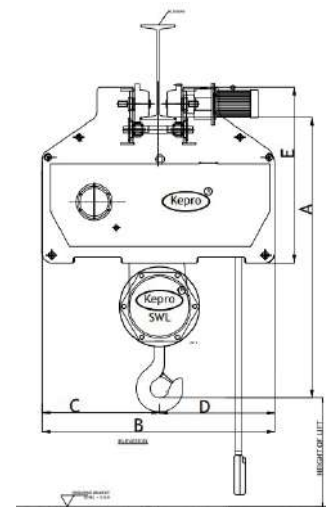


TECHNICAL PARAMETERS



Heavy duty

Capacity		Tonnes	1						2						3						5						7.5						10					
Item Code		KIRH	4010206	4010209	4010412	4010418	4010424	4010430	4020206	4020209	4020412	4020418	4020424	4020430	4030206	4030209	4030412	4030418	4030424	4030430	4050206	4050209	4050412	4050418	4050424	4050430	4075206	4075209	4075412	4075418	4075424	4075430	4100206	4100209	4100412	4100418	4100424	4100430
Mechanism Class As Per IS:3938			II						II						II						II						II											
Height Of Lift		Mtr.	6	9	12	18	24	30	6	9	12	18	24	30	6	9	12	18	24	30	6	9	12	18	24	30	6	9	12	18	24	30	6	9	12	18	24	30
No Of Rope Fall			2			4			2			4			2			4			2			4			2			4			2			4		
Rope Dia		mm	8						10						12						14						16						16					
Specification Of Hoisting Drive	Lifting Speed (Mtr/min)	Type A	3	3	3	3	3	3	3	3	3	3	3	3	3	3	3	3	3	3	3	3	3	3	3	3	3	3	3	3	3	3	3	3	3	3	3	3
	Motor Power(Kw)	Type A	1.1	1.1	1.1	1.1	1.5	1.5	1.5	1.5	2.2	2.2	2.2	2.2	3.7	3.7	3.7	3.7	3.7	3.7	5.5	5.5	5.5	5.5	5.5	5.5	7.5	7.5	7.5	7.5	7.5	7.5	9.3	9.3	9.3	9.3	9.3	9.3
Specification Of Cross Travel Drive	Lifting Speed (Mtr/min)	Type A	10						10						10						10						10											
	Motor Power(Kw)	Type A	18						18						18						18						18											
	Lifting Speed (Mtr/min)	Type B	0.37						0.37						0.37						0.37						0.37											
	Motor Power(Kw)	Type B	0.37						0.37						0.5						0.5						0.75											
Brake For Hoist			ACEM/EHT																																			
Brake For Cross Travel Trolley			EM DISC																																			
Dimension	A	mm	900	900	900	900	900	1000	1000	1000	1000	1000	1100	1100	1100	1100	1100	1200	1200	1200	1200	1200	1200	1400	1400	1400	1400	1400	1600	1600	1600	1600	1600	1600				
	B	mm	850	850	850	850	850	900	900	900	900	900	920	920	920	920	920	1050	1050	1050	1050	1050	1050	1088	1088	1088	1088	1088	1220	1220	1220	1220	1220	1220				
	C	mm	400	400	400	400	400	440	440	440	440	440	440	440	440	440	440	520	520	520	520	520	520	520	520	520	520	520	605	605	605	605	605	605				
	D	mm	450	450	450	450	450	460	460	460	460	460	460	480	480	480	480	480	530	530	530	530	530	530	568	568	568	568	568	615	615	615	615	615	615			
	E	mm	664	664	664	664	664	720	720	720	720	720	720	750	750	750	750	750	826	826	826	826	826	826	826	826	826	826	925	925	925	925	925	925				
	F	mm	1040	1090	1392	1626	1861	2095	1090	1160	1527	1820	2100	2400	1140	1224	1650	1900	2250	2550	1425	1224	1650	1900	2250	2550	1550	1700	1800	2150	2500	2850	1440	1616	1800	2200	2500	2850
	G	mm	540	590	892	1126	1361	1595	590	660	1027	1320	1600	1900	640	724	1150	1400	1750	2050	825	724	1150	1400	1750	2050	950	1100	1200	1550	1900	2250	840	1016	1200	1600	1900	2250
Suitable Flange Width		mm	ISMB 200 X 100 - 300 X 140						ISMB 200 X 100 - 300 X 140						ISMB 250 X 125 - 350 X 150						ISMB 250 X 125 - 350 X 150						ISMB 300X140 - 500 X 180						ISMB 400X140 - 600 X 210					
Approx Weight		Kg	700	750	825	880	950	1050	750	800	950	1000	1050	1100	885	950	1000	1150	1280	1400	900	950	1000	1150	1280	1400	960	1030	1170	1320	1480	1630	1200	1300	1400	1500	1800	2000

Extra Lift & higher sizes are available on request. Due to continual development of products, manufacturer reserves the right to modify design, dimensional parameters and component and composition of material without prior notice